

ENDON®

67698 – Canillo PIR Outdoor wall fitting.

INSTRUCTION MANUAL

Safety Warnings

This product is only suitable for connection to a 240V~50Hz supply.

It is recommended that this light is installed by a qualified electrician in accordance with current IEE Wiring Regulations and Building Regulations (Part P).

The light fitting should be connected to a lighting circuit protected by a 5 amp fuse (or a 6 amp miniature circuit breaker).

This light has an IP44 (splash proof) rating suitable for use outdoors.

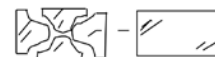
Run supply wire from a 5-amp electrical supply using double insulated 3-core cable of type H05RN-F 1.0mm² (not supplied) to selected site, ensuring it is adequately protected through the full length of the cable run, it must come out of the flat surface of the mounting surface in line with the entry to the fitting.

Except where installed in a conduit or duct, which provides equivalent protection against mechanical damage, a cable buried in the ground shall incorporate an earthed armour or metal sheath or both, suitable for use as a protective conductor, or be of insulated concentric construction. Buried cables shall be marked by cable covers or a suitable marking tape. Buried conduits and ducts shall be suitably identified. Buried cables, conduits and ducts shall be at a sufficient depth to avoid being damaged by any reasonably foreseeable disturbance of the ground.

This product contains breakable parts – be careful during handling and maintenance to avoid breakage.

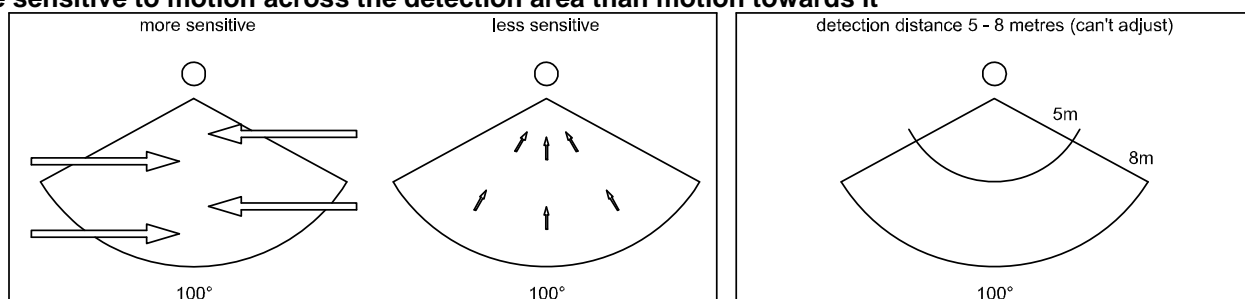
The shade can become hot in use. Switch off and allow 10 minutes to cool before cleaning.

If any part of the bulb housing is broken or cracked then it must be replaced immediately to preserve the water ingress protection, please consult your retailer. This is represented by the symbol



If any modification is made it will invalidate the warranty and may render the product unsafe.

The detection range (angle / distance) of the PIR sensor is shown here. The optimum mounting height is 1.8m-2.5m above the ground. Use this information before you choose a mounting position. Do not mount where the PIR can be activated by heat sources such as central heating vents, animals, traffic etc. The PIR sensor is more sensitive to motion across the detection area than motion towards it



Before you start

Please read these instructions carefully before fitting your new light and retain for reference.

Switch off the mains supply and remove the appropriate fuse or switch off the appropriate circuit breaker before commencing installation.

Ensure that no one else has access that would enable the supply to be inadvertently reconnected.

Check the packaging and make sure that you have all the required parts.

Follow each assembly step in order to prevent incorrect assembly

Make sure all screws / nuts, including electrical connections etc are fully tightened before use.

The Light pack contains:

Wall light and backplate.

Terminal connection block.

The following tools may be required:

Selection of cross and flat head screwdrivers.

Electric drill and assorted drill bits.

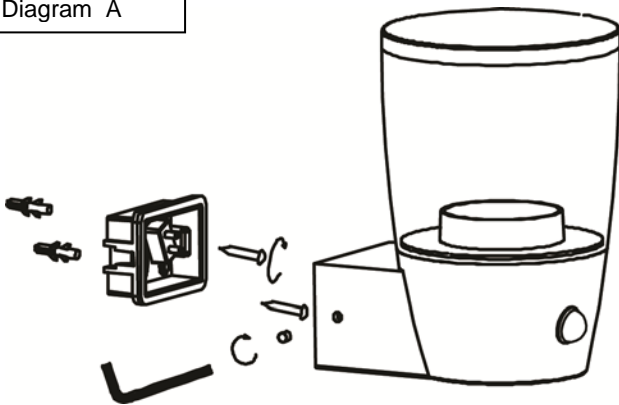
Wire strippers.

Electrical insulation tape.

Assembly / user instructions

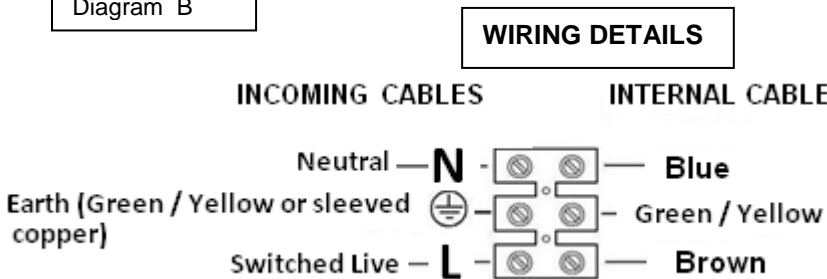
These assembly diagrams are intended as a guide – if in doubt consult a qualified electrician.

Diagram A



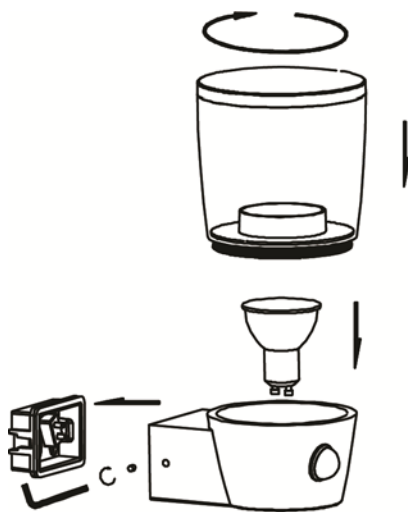
- Diagram A.** Determine the position of your light fitting taking into account the exit position of the cable. Ensure that the mounting surface is solid, preferably a brick or block wall and ensure that there are no other cables or pipes beneath the surface. Use appropriate fixings. Wall plugs are shown here. Ensure the fixings used can support the weight of the wall light.
- Remove the backplate, by undoing the side grub screws with the supplied allen key retain these for re-use.
- Use the backplate as a template to drill and mark the screw holes. Make sure the bracket is correctly oriented with the cable entry hole at the bottom. Use a sharp object such as a screwdriver to pierce the rubber grommet in the backplate.

Diagram B



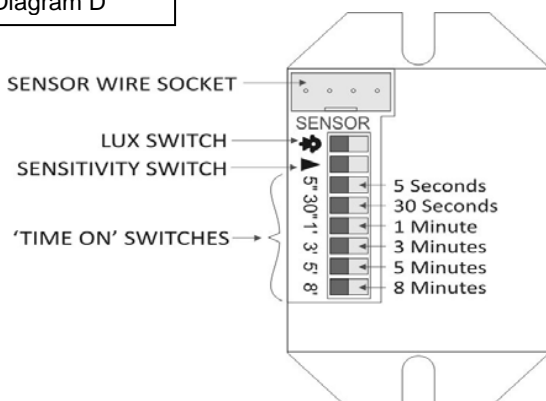
- Diagram B.** Support your fitting and connect the house wiring to the terminal block. The cable entry grommet must be securely in place to ensure that the water ingress protection is maintained. **NOTE: This is a Class I fitting and must be earthed.**

Diagram C



- Diagram C.** Re-position the fitting over the wall back – **Make sure that the fitting is the correct way up as per the arrow inside the backplate** – with the lampholder facing upwards. Secure with the 2 side grub screws, removed in step 2 above. Make sure that all the internal cables and connections are inside the backplate taking care not to trap or strain the internal cables.
- Unscrew the lid and fit the bulb. **Max. 3.5W GU10.** When changing a bulb, always switch off at the mains and allow the bulb to cool before handling. Dispose of used bulbs carefully. Do not exceed the wattage stated or use a different shape bulb from that indicated on the fitting
- Re-fit the lid. Ensure the rubber seal is in place for ingress protection. Do not overtighten.
- Diagram D: PIR Adjustment:** There is a DIP switch (control box) which operates the sensor options (controls located inside wall back). A small tool may be required to push the switches.

Diagram D



9. Turn on the power and test.

SETTING EXAMPLES:

	i) WORKS ONLY IN DARKNESS ii) LOW SENSITIVITY iii) 3 MINUTE 'TIME ON'	IE: The fitting will only work during hours of Darkness. The PIR has low sensitivity. The light will stay on for 3 minutes once activated
	i) WORKS ONLY IN DARKNESS ii) HIGH SENSITIVITY iii) 30 SECOND 'TIME ON'	IE: The fitting will only work during hours of Darkness. The PIR has high sensitivity. The light will stay on for 30 seconds once activated
	i) WORKS NIGHT AND DAY ii) HIGH SENSITIVITY iii) 8 MINUTE 'TIME ON'	IE: The fitting will work all the time The PIR has high sensitivity. The light will stay on for 8 minutes once activated

**Endon Lighting
Leeds
UK
LS9 0SE**

