

FLOOR AND TABLE LAMP ASSEMBLY INSTRUCTIONS

These instructions are provided for your safety.

Please read carefully before commencing work and retain for future reference.

These products are
sold individually

SAFETY INFORMATION

- * The supply cable runs through the inside of this product. Take care not to place undue stress on the cable whilst unpacking to prevent the possibility of a poor connection.
- * If you are in any doubt consult a person competent to give advice on the assembly of electrical equipment.
- * Always be sure to use the correct type and wattage of bulbs as indicated on the fitting. Do not exceed wattage stated.
- * If the external flexible cable of the lamp is damaged it shall be exclusively replaced by the manufacturer or his service agent or a similar qualified person in order to avoid a hazard.
- * To prevent electrocution switch off at the mains supply before assembling or maintaining this fitting. Ensure the plug is not connected to any power supply and read instructions before assembly.
- * When changing the bulb, always unplug from the mains and allow the old bulb to cool down before handling. Dispose of used bulbs carefully.

Floor Lamp

ASSEMBLY INSTRUCTIONS

1. Unpack the product and remove all packaging. Be careful not to scratch the surface of the product whilst removing the plastic wrapping.

2. Lay the product out on the floor. If the floor is not carpeted please cover it with a soft cloth to avoid damage to the flooring and surface of the product. Assembly should take place with the product lying flat.

3. It may be necessary to remove protective packaging (plastic / cardboard) located at cable entry point of the product.

4. Turn the base onto the pole. Keep the pole parallel to avoid cross threading. Keep the pole stationary and only rotate the base.

5. Stand the floor lamp upright and ensure all the assembled parts are fully tightened.

6. Fit bulb: type and wattage as indicated on fitting. **The wattage indicated must not be exceeded**

7. Fit the shade: Remove the shade ring from the lampholder. Place the shade over the lampholder and secure in place with the ring removed earlier.

8. Floor lamp is now ready for use.

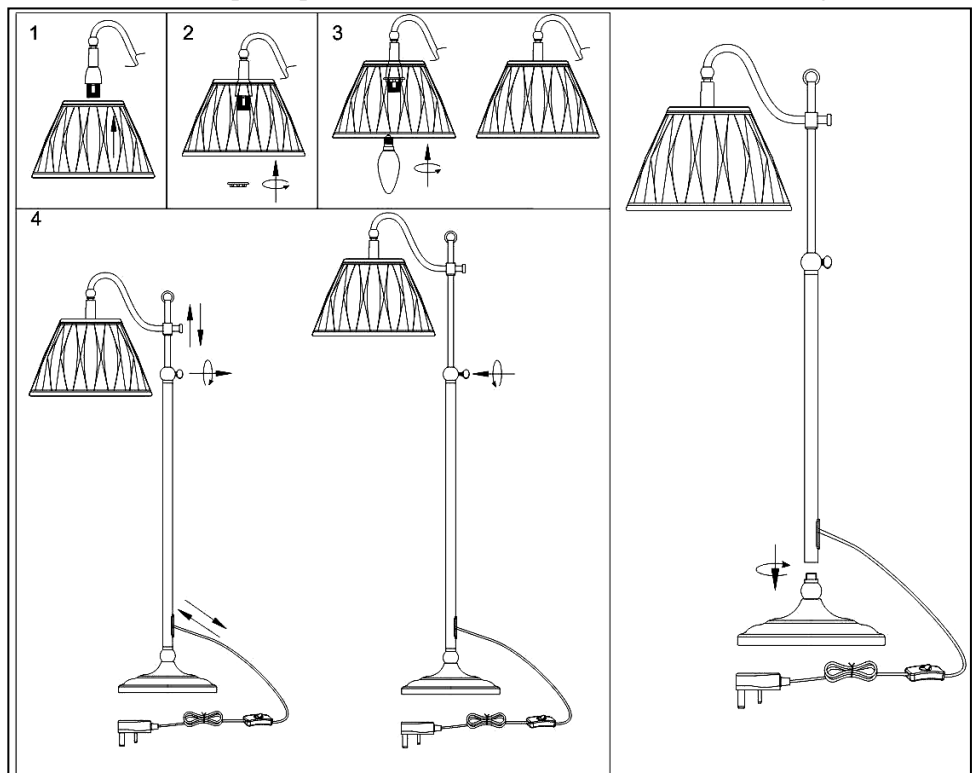


Table Lamp

1. To assemble the table lamp complete steps 6 to 8



IL1679

GENERAL INFORMATION

This product is designed for internal use only. **Do not use polish or abrasive cleaner – just a soft dry cloth.**

To register your product for an extended five-year warranty, please complete the simple form at

www.darlighting.co.uk/warranty

You'll need to fill in the details of the product, the retailer you purchased it from, and also the installer and the installation. Please also upload a clear copy of the original purchase invoice or receipt to complete this registration.

UK: *där Lighting Ltd, Wildmere Road, Banbury, Oxon, OX16 3JZ*

Ireland & EU: *Dar Lighting Ireland Limited, Suite 108, Q House, 76 Furze Road, Sandyford Industrial Estate, Dublin 18*