

## RISHA GLASS TABLE LAMP

### ASSEMBLY INSTRUCTIONS

These instructions are provided for your safety.

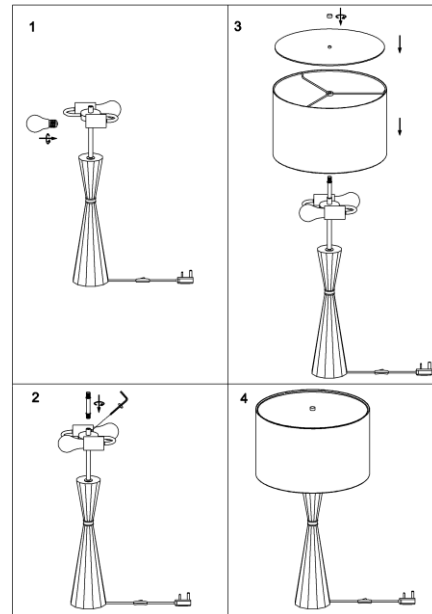
Please read carefully before commencing work and retain for future reference.

#### SAFETY INFORMATION

- \* If you are in any doubt consult a person competent to give advice on the assembly of electrical equipment.
- \* If the external flexible cable of the lamp is damaged it shall be exclusively replaced by the manufacturer or his service agent or a similar qualified person in order to avoid a hazard.
- \* To prevent electrocution switch off at the mains supply before assembling or maintaining this product. Ensure the plug is not connected to any power supply and read instructions before assembly.
- \* Always unplug from the mains supply and allow the lamp to cool down before handling.

#### ASSEMBLY INSTRUCTIONS

- 1) Unpack the product and remove all packaging. Take care not scratch the surface of the product whilst removing wrapping.
- 2) Ensure product is not connected to the mains supply.
- 3) Fit the bulb, type and wattage as indicated on the product. **The wattage must not be exceeded.**
- 4) Locate and screw the short stem onto top of table lamp then use hex key to fully lock stem into position.
- 5) Fit the shade and then diffuser and secure these into position using the finial.
- 6) Your table lamp is now ready for use.



To register your product for an extended five-year warranty, please complete the simple form at

[www.darlighting.co.uk/warranty](http://www.darlighting.co.uk/warranty)

You'll need to fill in the details of the product, the retailer you purchased it from, and also the installer and the installation. Please also upload a clear copy of the original purchase invoice or receipt to complete this registration.

**UK:** där Lighting Ltd, Wildmere Road, Banbury, Oxon, OX16 3JZ

**Ireland & EU:** Dar Lighting Ireland Limited, Suite 108, Q House, 76 Furze Road, Sandyford Industrial Estate, Dublin 18

## RISHA GLASS TABLE LAMP

### ASSEMBLY INSTRUCTIONS

These instructions are provided for your safety.

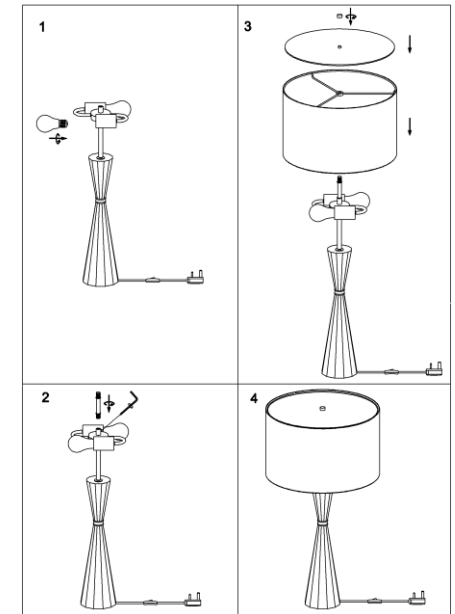
Please read carefully before commencing work and retain for future reference.

#### SAFETY INFORMATION

- \* If you are in any doubt consult a person competent to give advice on the assembly of electrical equipment.
- \* If the external flexible cable of the lamp is damaged it shall be exclusively replaced by the manufacturer or his service agent or a similar qualified person in order to avoid a hazard.
- \* To prevent electrocution switch off at the mains supply before assembling or maintaining this product. Ensure the plug is not connected to any power supply and read instructions before assembly.
- \* Always unplug from the mains supply and allow the lamp to cool down before handling.

#### ASSEMBLY INSTRUCTIONS

- 1) Unpack the product and remove all packaging. Take care not scratch the surface of the product whilst removing wrapping.
- 2) Ensure product is not connected to the mains supply.
- 3) Fit the bulb, type and wattage as indicated on the product. **The wattage must not be exceeded.**
- 4) Locate and screw the short stem onto top of table lamp then use hex key to fully lock stem into position.
- 5) Fit the shade and then diffuser and secure these into position using the finial.
- 6) Your table lamp is now ready for use.



To register your product for an extended five-year warranty, please complete the simple form at

[www.darlighting.co.uk/warranty](http://www.darlighting.co.uk/warranty)

You'll need to fill in the details of the product, the retailer you purchased it from, and also the installer and the installation. Please also upload a clear copy of the original purchase invoice or receipt to complete this registration.

**UK:** där Lighting Ltd, Wildmere Road, Banbury, Oxon, OX16 3JZ

**Ireland & EU:** Dar Lighting Ireland Limited, Suite 108, Q House, 76 Furze Road, Sandyford Industrial Estate, Dublin 18