

ADJUSTABLE TABLE LAMP

ASSEMBLY INSTRUCTIONS

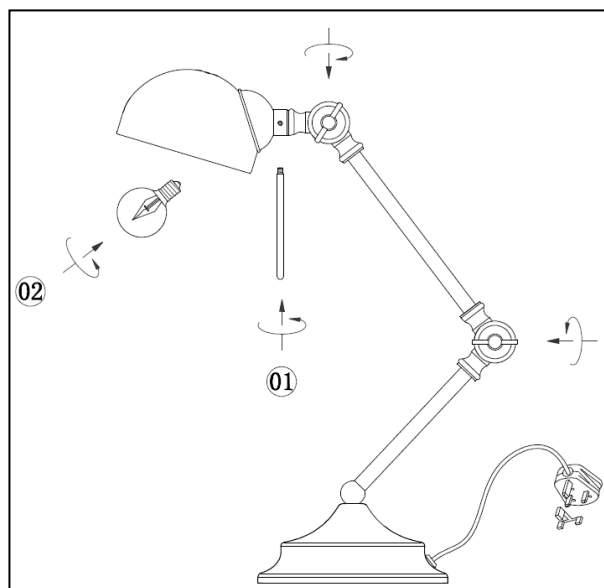
These instructions are provided for your safety.
Please read carefully before commencing work and retain for future reference.

SAFETY INFORMATION

- * The supply cable runs through the inside of this product. Take care not to place undue stress on the cable whilst unpacking to prevent the possibility of a poor connection.
- * If you are in any doubt consult a person competent to give advice on the assembly of electrical equipment.
- * Always be sure to use the correct type and wattage of bulbs as indicated on the fitting. Do not exceed wattage stated.
- * If the external flexible cable of the lamp is damaged it shall be exclusively replaced by the manufacturer or his service agent or a similar qualified person in order to avoid a hazard.
- * To prevent electrocution switch off at the mains supply before assembling or maintaining this fitting. Ensure the plug is not connected to any power supply and read instructions before assembly.
- * When changing the bulb, always unplug from the mains and allow the old bulb to cool down before handling. Dispose of used bulbs carefully.
- * The lamp should be used so the bulb is no closer than 30cm from any surface it is illuminating = 0.3m
- * **The head of this lamp will get hot when in use.** To adjust the light during use you must only use the adjustment handles to loosen each section and then use the long handle located behind the lamphead to move into position. **Ensure that all adjustment handles are fully tightened after any adjustments have been made.**

ASSEMBLY INSTRUCTIONS

1. Unpack the product and remove all packaging. Be careful not to scratch the surface of the product whilst removing the plastic wrapping.
2. Fit the adjustment handle to the rear of the lamphead by screwing into place. Take care not to cross the threads. If in doubt undo and start again. Ensure the handle is secure
3. Fit bulb: type and wattage as indicated on fitting. **The wattage indicated must not be exceeded.**
4. To make adjustments to the position of the lamp head please loosen one of the adjustment handles located at each of the 2 adjustment joints. It is important to only adjust one position at a time. **Only use the handle located behind the head to control the position when adjusting as the head of the light will be hot when in use.** Only loosen the adjustment handle enough to make the required adjustment and then retighten. Ensure that all handles are fully tightened after adjustments have been made.
5. Table lamp is now ready for use.



6. **IT IS IMPORTANT THAT THIS PICTURE OF LAMP ADJUSTMENT IS NEVER EXCEEDED. IF THE HEAD IS MOVED FURTHER BACK THAN THIS IT WILL CAUSE THE PRODUCT TO BECOME UNSTABLE AND IT MAY TOPPLE OVER**





IL1942

GENERAL INFORMATION

This product is designed for internal use only. **Do not use polish or abrasive cleaner – just a soft dry cloth.**

To register your product for an extended five-year warranty, please complete the simple form at

www.darlighting.co.uk/warranty

You'll need to fill in the details of the product, the retailer you purchased it from, and also the installer and the installation. Please also upload a clear copy of the original purchase invoice or receipt to complete this registration.

UK: *där Lighting Ltd, Wildmere Road, Banbury, Oxon, OX16 3JZ*

Ireland & EU: *Dar Lighting Ireland Limited, Suite 108, Q House, 76 Furze Road, Sandyford Industrial Estate, Dublin 18*