

PLUG WALL LIGHT INSTALLATION INSTRUCTIONS

These instructions are provided for your safety.

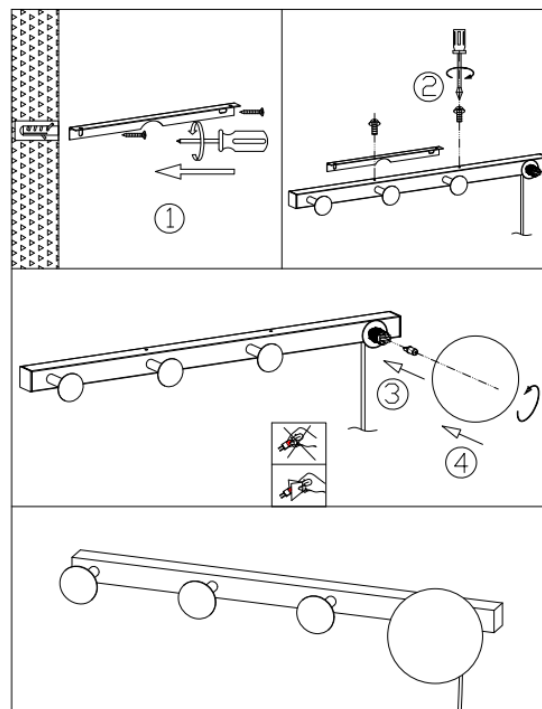
Please read them carefully before commencing work and retain them for future reference.

SAFETY INFORMATION

- * The supply cable runs through the inside of the fitting. Take care not to place undue stress on the cable whilst unpacking to prevent the possibility of a poor connection.
- * If the external flexible cable of the lamp is damaged it shall be exclusively replaced by the manufacturer or his service agent or a similar qualified person in order to avoid a hazard.
- * If you are in any doubt consult a person competent to give advice on the assembly of electrical equipment.
- * To avoid damage to concealed wiring during installation, establish the direction of the supply cable before drilling fixing holes.
- * To prevent electrocution switch off at the mains supply before assembling or maintaining this fitting. Ensure the plug is not connected to any power supply and read instructions before assembly.
- * Always be sure to use the correct type and wattage of bulbs as indicated on the fitting. Do not exceed wattage stated.
- * When changing the bulb, always switch off at the mains and allow the old bulb to cool down before handling. Dispose of old bulbs carefully.
- * **IMPORTANT: DO NOT HANG ANY OBJECT ON THE GLASS**
MAXIMUM WEIGHT LIMIT FOR THIS PRODUCT IS 5.0KG.

INSTALLATION

1. Ensure the house electricity supply is off at the fuse board.
2. If you are fitting this unit in place of an existing fitting, please ensure all existing wires are carefully isolated and are not to be connected to this fitting.
3. Remove the fixing bracket from the fitting and use this as a template, mark and then drill fixing holes in the wall. Ensure the holes are drilled into the joist or other suitable mounting and not just into plaster.
4. Attach the fixing bracket onto the wall using suitable fixings.
5. Offer the fitting onto fixing bracket and push firmly onto the wall then secure into position using screws at the sided. **Take care not to over tighten fixing screws.**
6. **Fit the lamp**
7. Fit the shade, shrew the glass onto lamp holder. **Take care not to overtighten.**
8. Your lamp is now ready for use.



GENERAL INFORMATION

This product is designed for internal use only and must be fitted to a DRY SURFACE as any dampness in plaster or paint can damage the finish. **Do not use polish or abrasive cleaner - just a soft dry cloth.**

To register your product for an extended five-year warranty, please complete the simple form at

www.darlighting.co.uk/warranty

You'll need to fill in the details of the product, the retailer you purchased it from, and also the installer and the installation. Please also upload a clear copy of the original purchase invoice or receipt to complete this registration.

UK: där Lighting Ltd, Wildmere Road, Banbury, Oxon, OX16 3JZ

Ireland & EU: Dar Lighting Ireland Limited, Suite 108, Q House, 76 Furze Road, Sandyford Industrial Estate, Dublin 18