



IL4245

## IP65 OUTDOOR WALL

These instructions are provided for your safety.

Please read them carefully before commencing work and retain them for future reference.

**This fitting has an IP rating of IP65 and is suitable for outdoor use when connected as instructed.**

### SAFETY INFORMATION

- \* We recommend any electrical wiring in an outdoor environment is carried out by a qualified electrician. All wiring must comply with the current edition of the IEE wiring regulations and any relevant Building Regulations.
- \* If you are in any doubt consult a person competent to give advice on the installation of electrical equipment.
- \* This fitting is Class I =  $\frac{1}{\text{I}}$  and should be fitted to a lighting supply (with earth) protected by a 5 amp fuse or equivalent circuit breaker. Product should be connected to a supply protected by a 30mA RCD.
- \* This fitting is rated IP65 and is suitable for outdoor use when fitted in accordance with these instructions and IEE wiring regulations.
- \* Before installation and servicing disconnect the electricity supply at the fuse board.
- \* To avoid damage to concealed wiring during installation, establish the direction of the supply cable before drilling fixing holes.
- \* Always be sure to use the correct type and wattage of bulbs as indicated on the fitting.
- \* When changing the bulb, always switch off from the mains and allow old bulb to cool down before handling. Dispose of used bulbs carefully.

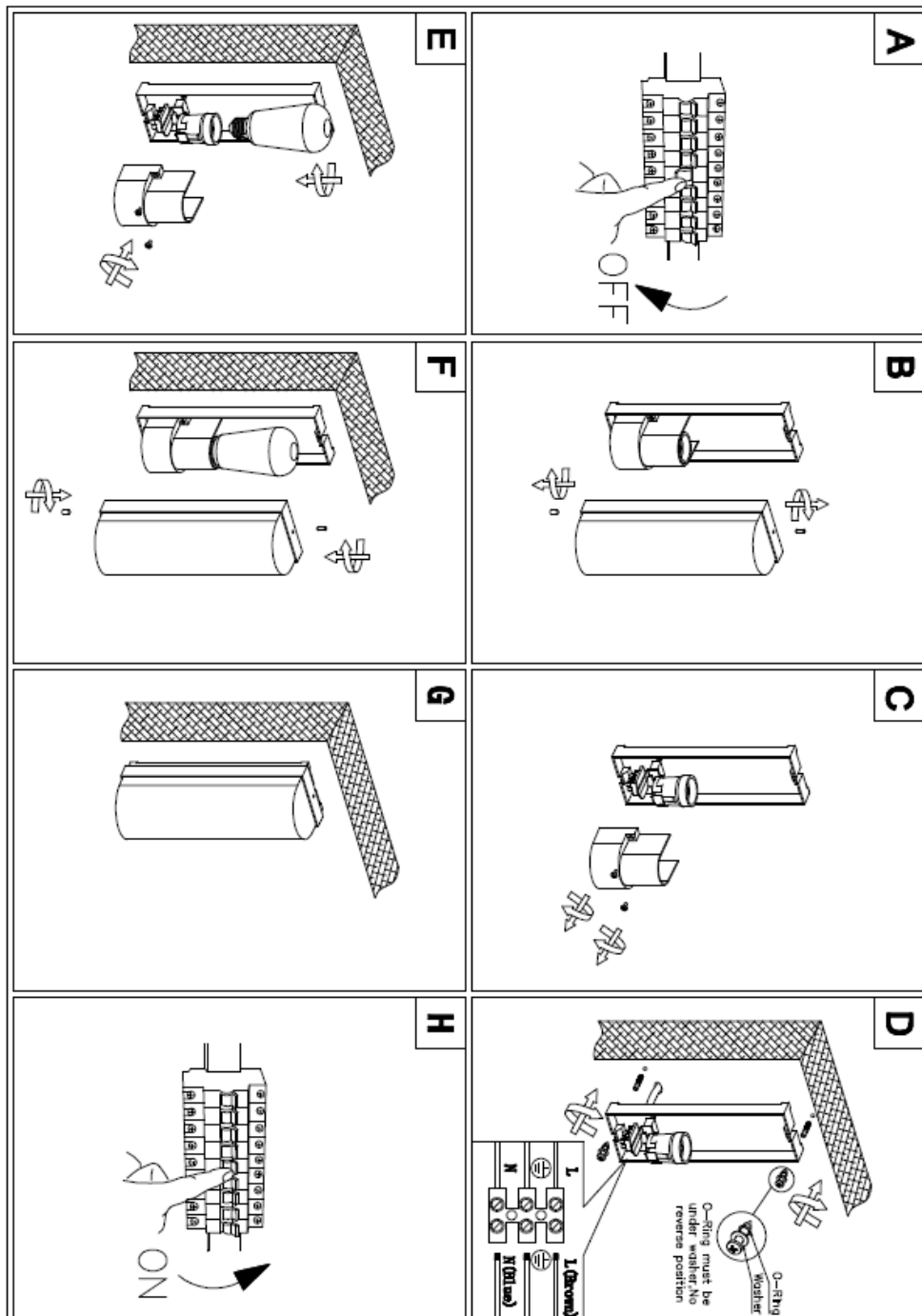
### INSTALLATION

**Note: This fitting has a 3 year guarantee against corrosion. This fitting should only be installed in normal non aggressive atmospheric locations to prevent corrosion. Aggressive environments to be avoided include locations by the sea, polluted atmospheres or near heating flue outlets.**

1. Ensure the house electricity supply is off at the fuse board.
2. If removing existing fitting, carefully note the position of each set of cables. If there are loop in cables that are not connected to the light these must be terminated in a separate terminal block not connected to the fitting.
3. Remove the backplate from the fascia by undoing the retaining screws, retain the screws and any washers for later.
4. Remove the terminal block cover by undoing the 2 x screws, retain the screws and any washers for later.
5. Using mounting bracket as a template, mark and drill fixing holes. Ensure holes are drilled into a solid wall or other suitable mounting.
6. Pass cable from the wall through the rubber grommet ensuring rubber grommet makes a good watertight seal around cable.
7. Attach the back plate onto the wall using suitable fixings whilst making sure the 'O rings' provided are used to prevent moisture ingress, take care not to overtighten screws or damage the 'O rings'.
8. Make electrical connections as follows:  
 Connect supply live (normally brown or red) to fitting live (marked "L") on the plastic casing terminal block.  
 Connect supply neutral (normally blue or black) to fitting neutral (marked "N") on the plastic casing terminal block.  
 Connect supply earth (normally green/yellow or unsheathed) to earth (marked " $\frac{1}{\text{I}}$ ") on plastic casing terminal block.  
 Ensure electrical connections are tight and no loose strands of wire are left out of the connector block and ensure terminal block and cable are not protruding.
9. Attach the terminal block cover using screws removed earlier whilst making sure wires do not obstruct fitment of the cover, use screws removed earlier to secure this into position whilst using any washers removed earlier where supplied.  
**Take care not to damage cable.**
10. Fit the candle drip over the lamp holder then fit bulb by using the tool provided, bulb type and wattage as indicated on the fitting. **The wattage indicated must not be exceeded.**
11. Attach the fascia over backplate then secure this into position using screws and any 'O rings' removed earlier, **take care not to over tighten.**
12. Switch on the electricity supply at the fuse board.

### GENERAL INFORMATION

This fitting is designed for external use, it must be fitted to a DRY FINISH as any dampness in concrete, wood stain, paint and etc can damage finish. **Do not use polish or abrasive cleaner - just a soft slightly damp cloth**



To register your product for an extended five-year warranty, please complete the simple form at

[www.darlighting.co.uk/warranty](http://www.darlighting.co.uk/warranty)

You'll need to fill in the details of the product, the retailer you purchased it from, and also the installer and the installation. Please also upload a clear copy of the original purchase invoice or receipt to complete this registration.

**UK:** där Lighting Ltd, Wildmere Road, Banbury, Oxon, OX16 3JZ

**Ireland & EU:** Dar Lighting Ireland Limited, Suite 108, Q House, 76 Furze Road, Sandyford Industrial Estate, Dublin 18