




IL1474

PIZA / SORRENTO / FIRENZE WALL BRACKET INSTALLATION INSTRUCTIONS

These instructions are provided for your safety.

Please read carefully before commencing work and retain for future reference.

SAFETY INFORMATION

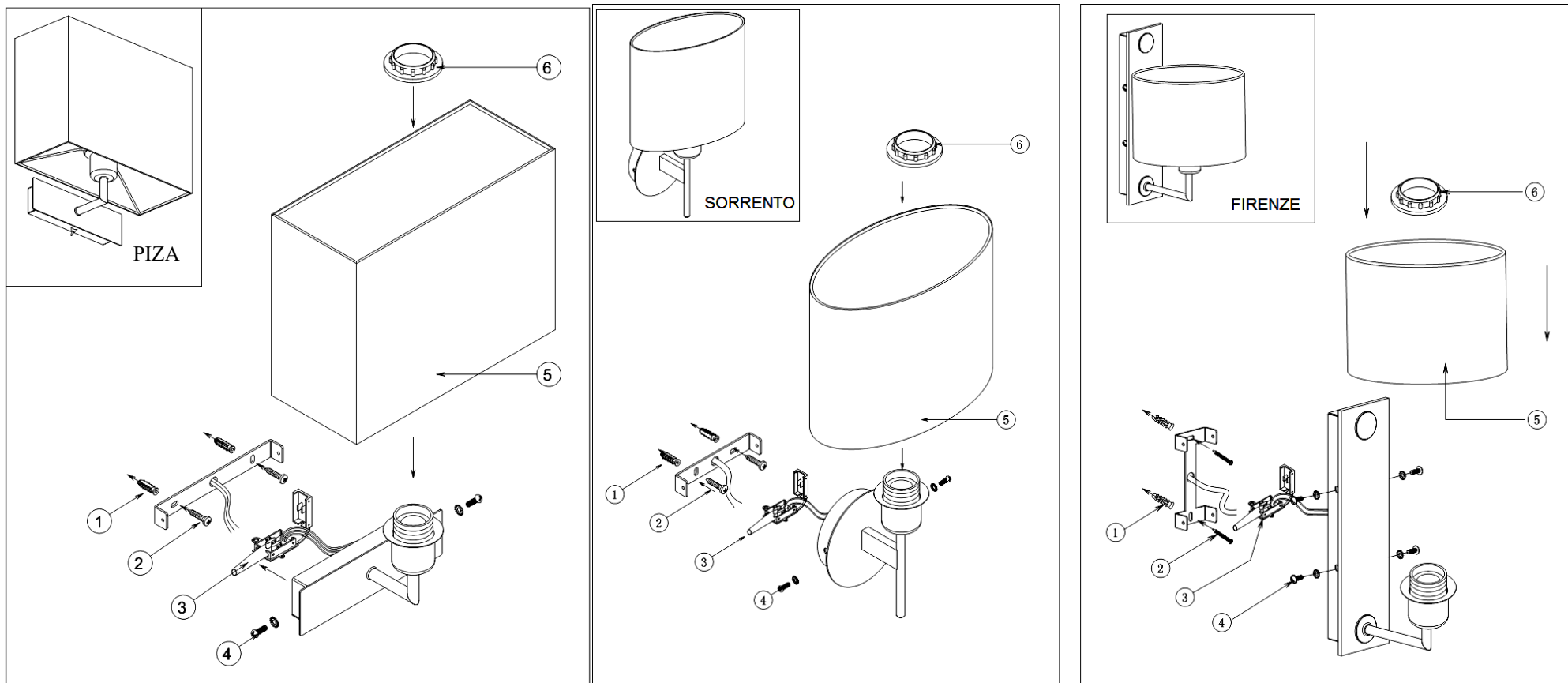
- * If you are in any doubt consult a person competent to give advice on the installation of electrical equipment.
- * This fitting should be fitted in accordance with IEE Wiring Regulations and the Building Regulations.
- * To prevent electrocution switch off at the mains supply before installing or maintaining this fitting. Ensure other persons cannot restore the electricity supply without your knowledge.
- * To avoid damage to concealed wiring during installation, establish the direction of the supply cable before drilling fixing holes.
- * This fitting is Class II =  and should be fitted to a lighting supply protected by a 5 amp fuse or equivalent circuit breaker.
- * Always be sure to use the correct type and wattage of bulbs as indicated on the fitting. Never exceed the wattage stated.
- * When changing the bulb, always switch off at the mains and allow the old bulb to cool down before handling. Dispose of used bulbs carefully.

INSTALLATION

1. Ensure the house electricity supply is off at the fuse board.
2. Before removing the existing fitting, carefully note the position of each set of cables. If there are loop in cables that are not connected to the light these must be terminated in a separate terminal block not connected to the fitting.
3. Remove the mounting bracket from fitting by undoing the retaining screws and washers.
4. Using mounting bracket as template, mark and drill fixing holes in the wall. ① Ensure the holes are drilled into a solid wall or other suitable mounting and not just into plaster.
5. Align mounting bracket with fixing holes and fit to the wall using suitable fixings. ② **Take care not to damage wiring.**
6. Using a screwdriver, lever open the connector block housing and feed supply cable through rubber sleeving. The weight of the fitting must be supported whilst making electrical connections as follows: ③
Connect the supply live (normally brown or red) to fitting live (marked "L") on the terminal block.
Connect the supply neutral (normally blue or black) to fitting neutral (marked "N") on the terminal block.
Ensure electrical connections are tight and no loose strands of wire are left out of the connector block. Ensure terminals and rubber sleeve is correctly seated then close connector block housing.
The product is double insulated and should not be connected to the earth supply, use a good quality insulation tape to wrap earth wire where exposed.
7. Offer fitting cup to the mounting bracket and align fixing holes. Secure in place with retaining washers and screws removed earlier. ④ **Take care not to damage wiring.**
8. To fit the shade: Remove the shade ring from bulb holder, fit shade ⑤ and secure in place with shade ring. ⑥
9. Fit the bulb: Type and wattage as indicated on the fitting. **The wattage indicated must not be exceeded.**
10. Switch on the electricity supply at the fuse board.

GENERAL INFORMATION

This fitting is designed for internal use only and must be fitted to a DRY SURFACE as any dampness in plaster or paint can damage the finish. **Do not use polish or abrasive cleaner - just a soft dry cloth.**



These diagrams are offered as a guide. Please follow all the safety and installation information overleaf.