



IL3881

IP43 OUTDOOR WALL

These instructions are provided for your safety.

Please read them carefully before commencing work and retain them for future reference.

This fitting has an IP rating of IP43 and is suitable for outdoor use when connected as instructed.

SAFETY INFORMATION

- * We recommend any electrical wiring in an outdoor environment is carried out by a qualified electrician. All wiring must comply with the current edition of the IEE wiring regulations and any relevant Building Regulations.
- * If you are in any doubt consult a person competent to give advice on the installation of electrical equipment.
- * This fitting is Class I = $\frac{1}{\text{I}}$ and should be fitted to a lighting supply (with earth) protected by a 5 amp fuse or equivalent circuit breaker. Product should be connected to a supply protected by a 30mA RCD.
- * This fitting is rated IP43 and is suitable for outdoor use when fitted in accordance with these instructions and IEE wiring regulations.
- * Before installation and servicing disconnect the electricity supply at the fuse board.
- * To avoid damage to concealed wiring during installation, establish the direction of the supply cable before drilling fixing holes.
- * Always be sure to use the correct type and wattage of bulbs as indicated on the fitting.
- * When changing the bulb, always switch off from the mains and allow old bulb to cool down before handling. Dispose of used bulbs carefully.

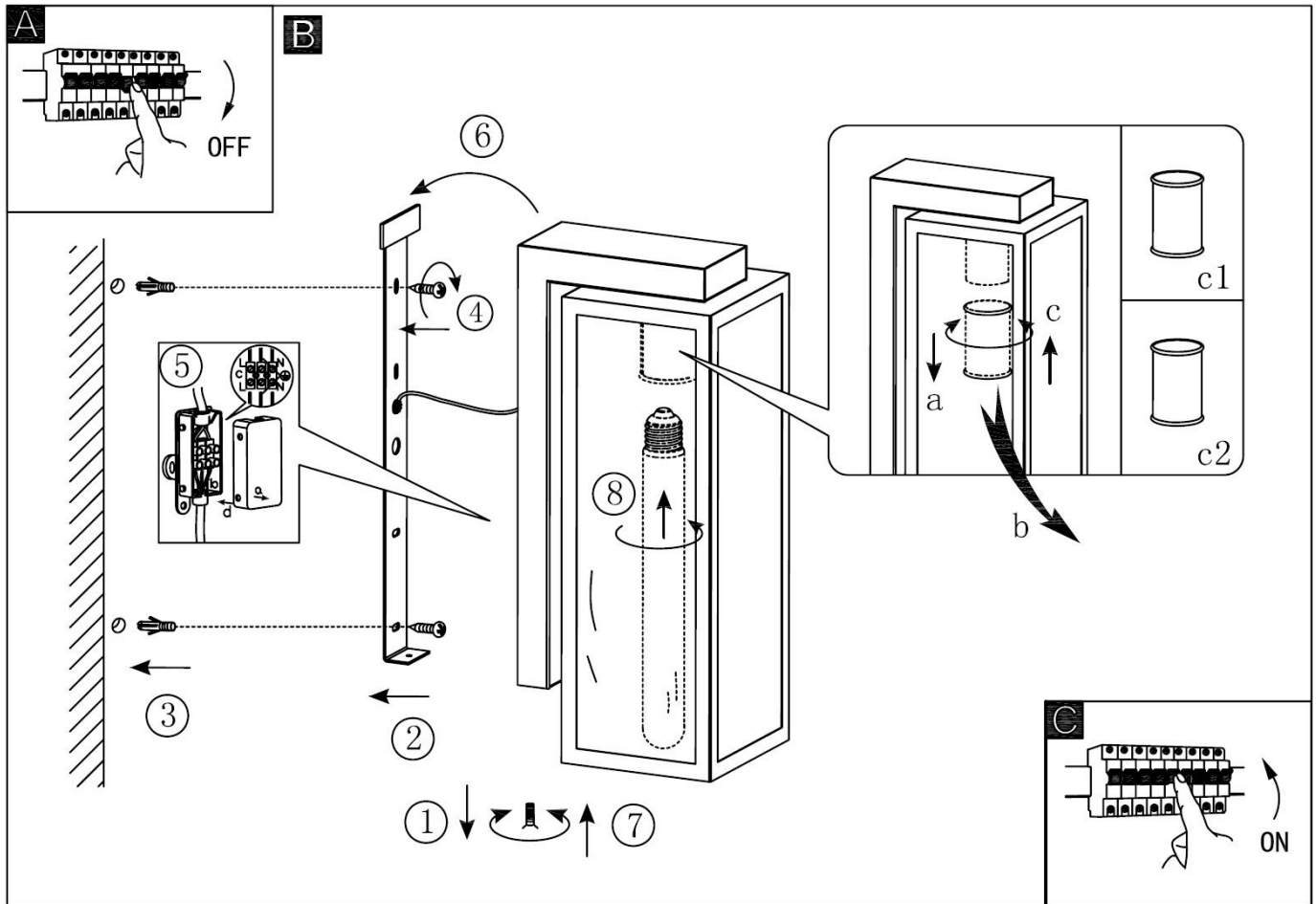
INSTALLATION

Note: This fitting should only be installed in normal non aggressive atmospheric locations to prevent corrosion. Aggressive environments to be avoided include locations by the sea, polluted atmospheres or near heating flue outlets.

1. Ensure the house electricity supply is off at the fuse board.
2. If removing existing fitting, carefully note the position of each set of cables. If there are loop in cables that are not connected to the light these must be terminated in a separate terminal block not connected to the fitting.
3. Remove the mounting bracket from the fitting by undoing the retaining screws at the sides, ① retain the screws and any washers for later.
4. Using mounting bracket as a template, ② mark and drill fixing holes. ③ Ensure holes are drilled into a solid wall or other suitable mounting.
5. Attach the mounting bracket onto the wall using suitable fixings. ④
6. Pass cable from the wall through the rubber grommet at inside the IP44 enclosed terminal block ensuring rubber grommet makes a good watertight seal around cable.
7. Make electrical connections as follows, electrical connections should be made using IP44 connector block supplied with fitting. ⑤
 Connect supply live (normally brown or red) to fitting live (marked "L") on the plastic casing terminal block.
 Connect supply neutral (normally blue or black) to fitting neutral (marked "N") on the plastic casing terminal block.
 Connect supply earth (normally green/yellow or unsheathed) to earth (marked " $\frac{1}{\text{E}}$ ") on plastic casing terminal block.
 Ensure electrical connections are tight and no loose strands of wire are left out of the connector block.
8. Close IP44 enclosed terminal block by snapping the lid into position. Ensure terminal block and cable are not obstructed.
9. Attach the fitting onto the mounting bracket ⑥ then secure fitting using screws removed earlier ⑦ **Take care not to damage cable.**
10. Fit the candle drip over the lamp holder then fit bulb by using the tool provided, bulb type and wattage as indicated on the fitting. ⑧ **The wattage indicated must not be exceeded.**
11. Switch on the electricity supply at the fuse board.

GENERAL INFORMATION

This fitting is designed for external use, it must be fitted to a DRY FINISH as any dampness in concrete, wood stain, paint and etc can damage finish. **Do not use polish or abrasive cleaner - just a soft slightly damp cloth**



To register your product for an extended five-year warranty, please complete the simple form at

www.darlighting.co.uk/warranty

You'll need to fill in the details of the product, the retailer you purchased it from, and also the installer and the installation. Please also upload a clear copy of the original purchase invoice or receipt to complete this registration.

UK: däre Lighting Ltd, Wildmere Road, Banbury, Oxon, OX16 3JZ

Ireland & EU: Dar Lighting Ireland Limited, Suite 108, Q House, 76 Furze Road, Sandyford Industrial Estate, Dublin 18