

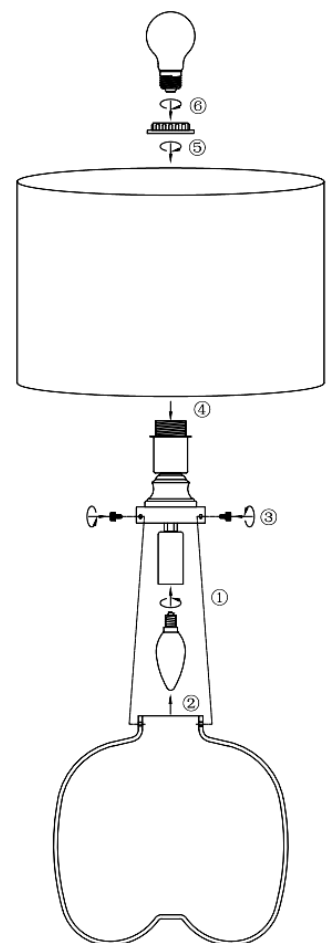
# DUAL GLASS AND FABRIC TABLE LAMP

## SAFETY INFORMATION

- \* If the flexible cable of this product is damaged it should be exclusively replaced by the manufacturer or a similar qualified person in order to avoid a hazard.
- \* To prevent electrocution switch off at the mains supply before assembling or maintaining this fitting. Ensure the plug is not connected to any power supply and read instruction before assembly.
- \* When changing the bulb, ensure product is unplugged and allow the old bulb to cool down before handling. Dispose of used bulbs carefully.

## ASSEMBLY INSTRUCTIONS

1. Unpack the product and remove all packaging. Be careful not to scratch the surface of the product whilst removing the plastic wrapping.
2. Where required, remove shade ring / spacer from lamp holder.
3. Fit the bulb located underside of the lamp, type and wattage as indicated on product. **The wattage indicated must not be exceeded.**
4. Carefully offer lamp fitted into the base and secure using finials supplied.
5. Remove the shade ring from lampholder, fit the bulb then fit shade and secure using shade ring.
6. Fit the bulb located at the top, type and wattage as indicated on product. **The wattage indicated must not be exceeded.**
7. Table lamp is now ready for use.



To register your product for an extended five-year warranty, please complete the simple form at

[www.darlighting.co.uk/warranty](http://www.darlighting.co.uk/warranty)

You'll need to fill in the details of the product, the retailer you purchased it from, and also the installer and the installation. Please also upload a clear copy of the original purchase invoice or receipt to complete this registration.

**UK:** där Lighting Ltd, Wildmere Road, Banbury, Oxon, OX16 3JZ

**Ireland & EU:** Dar Lighting Ireland Limited, Suite 108, Q House, 76 Furze Road, Sandyford Industrial Estate, Dublin 18