

## IP44 OUTDOOR WALL LIGHT

These instructions are provided for your safety.

Please read carefully before commencing work and retain for future reference.

**This fitting has an IP rating of IP44 and is suitable for outdoor use when connected as instructed.**

### SAFETY INFORMATION

- \* We recommend any electrical wiring in an outdoor environment is carried out by a qualified electrician. All wiring must comply with the current edition of the IEE wiring regulations and any relevant Building Regulations.
- \* If you are in any doubt consult a person competent to give advice on the installation of electrical equipment.
- \* This fitting is Class I =  $\frac{1}{\text{I}}$  and should be fitted to a lighting supply (with earth) protected by a 5 amp fuse or equivalent circuit breaker. Product should be connected to a supply protected by a 30mA RCD.
- \* This fitting is rated IP44 and is suitable for outdoor use when fitted in accordance with these instructions and IEE wiring regulations.
- \* Before installation and servicing disconnect the electricity supply at the fuse board.
- \* To avoid damage to concealed wiring during installation, establish the direction of the supply cable before drilling fixing holes.
- \* Always be sure to use the correct type and wattage of bulbs as indicated on the fitting.
- \* When changing the bulb, always switch off from the mains and allow old bulb to cool down before handling. Dispose of used bulbs carefully.

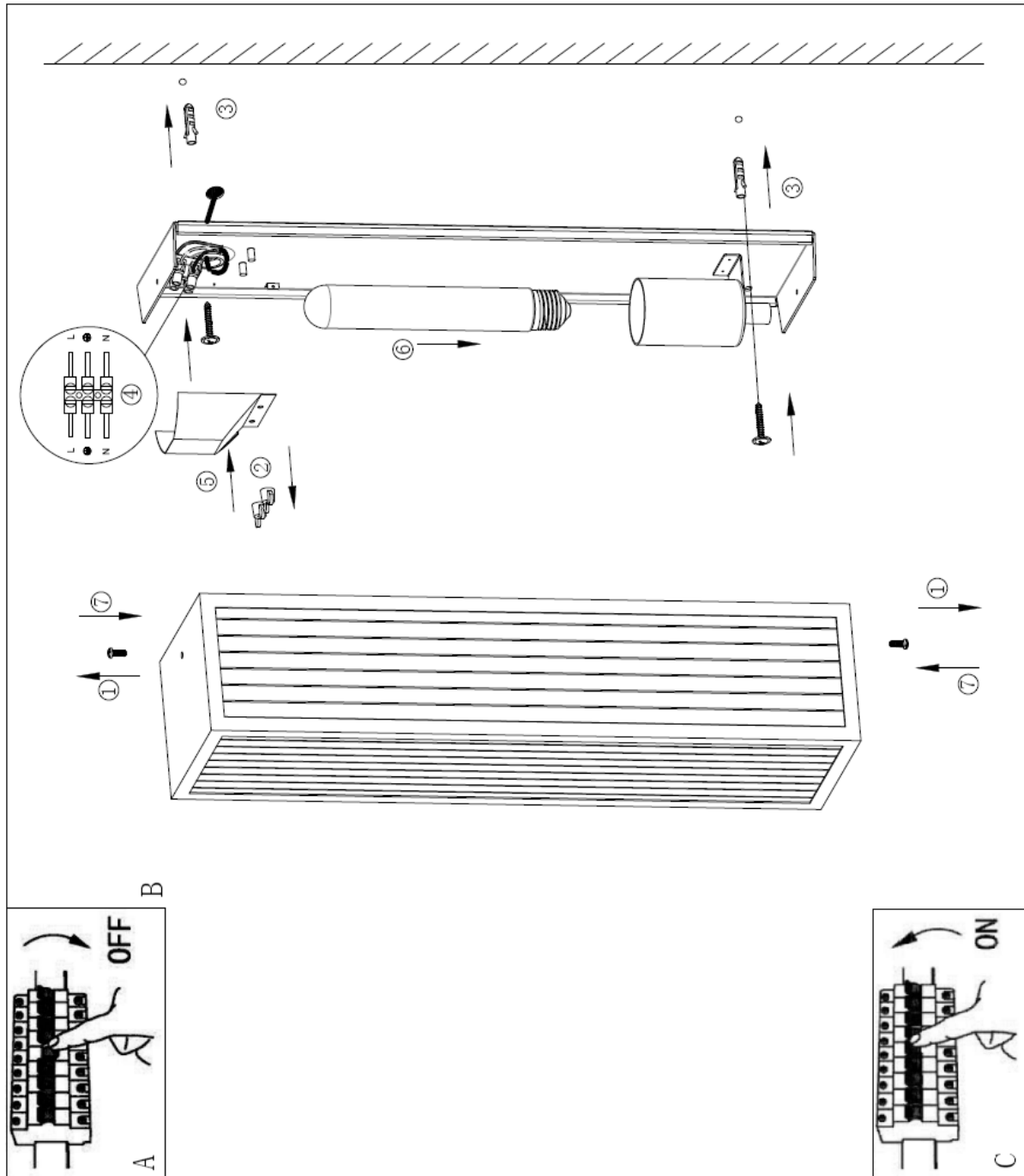
### INSTALLATION

**Note: This fitting should only be installed in normal non aggressive atmospheric locations to prevent corrosion. Aggressive environments to be avoided include locations by the sea, polluted atmospheres or near heating flue outlets.**

1. Ensure house electricity supply is off at the fuse board.
2. If removing existing fitting, carefully note the position of each set of cables. If there are loop in cables that are not connected to the light these must be terminated in a separate terminal block not connected to the fitting.
3. Release backplate from main body by 2 x retaining screw located at the top and bottom of fitting then separate the backplate away from the main body. ①
4. One of the fixing hole is hidden behind a cover plate, use a screw driver to undo the fixing screws and retain these screws for later. ②
5. Using backplate as a template, ③ mark and then drill the fixing holes in the wall. Ensure fixing holes are located on a solid, suitable mounting surface.
6. Pass cable from the wall through rubber grommet at the rear of backplate, **make sure the hole in rubber grommet makes a good watertight seal around cable**. Attach the back plate onto the wall using suitable fixings, **take care not to trap the cable in the process**.
7. Make electrical connections as follows. ④  
 Connect supply live (normally brown or red) to terminal block (marked "L" or brown) on fitting.  
 Connect supply neutral (normally blue or black) to terminal block (marked "N" or blue) on fitting.  
 Connect supply earth (Green and Yellow) to the centre terminal of terminal block (marked " $\frac{1}{\text{I}}$ " or green/ yellow) on fitting.  
 Ensure electrical connections are tight and no loose strands of wire are left out of the block and make sure rubber grummet is correctly seated into position on the metal backplate.
8. Reattach cover plate over terminal block then use fixing screws removed earlier to secure this into position. ⑤ **Take care wires are not trapped or damaged in the process.**
9. **Fit bulb**, type and wattage as indicated on fitting. ⑥ **The wattage indicated must not be exceeded.**
10. Offer the main body frame over the backplate then secure this into position by using screws removed earlier at the top and bottom of the frame. ⑦ Where provided use the washers removed earlier.
11. Switch on the electricity supply at the fuse board.

### GENERAL INFORMATION

This fitting is designed for external use, it must be fitted to a DRY FINISH as any dampness in concrete, wood stain, paint and etc can damage finish. **Do not use polish or abrasive cleaner - just a soft slightly damp cloth**



To register your product for an extended five-year warranty, please complete the simple form at

[www.darlighting.co.uk/warranty](http://www.darlighting.co.uk/warranty)

You'll need to fill in the details of the product, the retailer you purchased it from, and also the installer and the installation. Please also upload a clear copy of the original purchase invoice or receipt to complete this registration.

**UK:** där Lighting Ltd, Wildmere Road, Banbury, Oxon, OX16 3JZ

**Ireland & EU:** Dar Lighting Ireland Limited, Suite 108, Q House, 76 Furze Road, Sandyford Industrial Estate, Dublin 18