

TRIPOD TABLE / FLOOR LAMP

These instructions are provided for your safety.

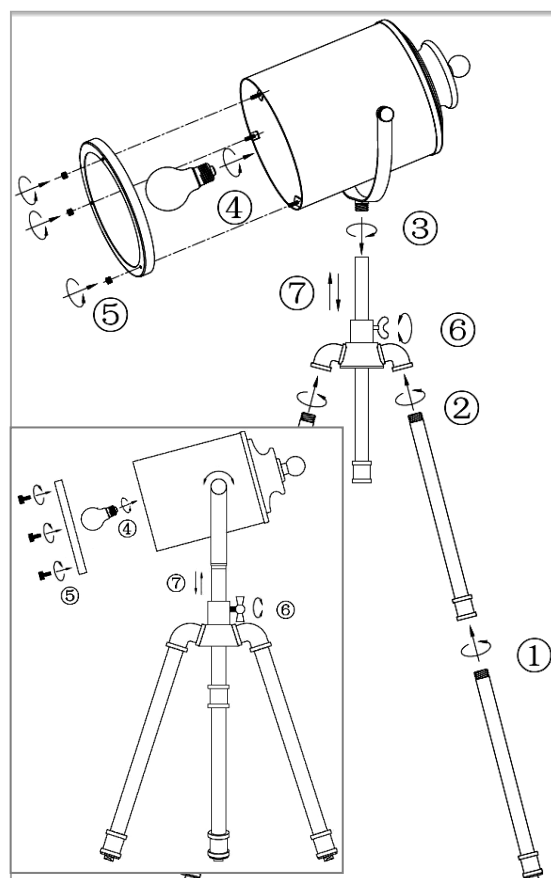
Please read carefully before commencing work and retain for future reference.

SAFETY INFORMATION

- * If the flexible cable of this product is damaged it should be exclusively replaced by the manufacturer or a similar qualified person in order to avoid a hazard.
- * To prevent electrocution switch off at the mains supply before assembling or maintaining this fitting. Ensure the plug is not connected to any power supply and read instruction before assembly.
- * This product is fitted with a 3 Amp fuse and is suitable for 240 Volt ring mains.
- * Always be sure to use the correct type and wattage of bulbs as indicated on the p. Never exceed the wattage stated.
- * When changing the bulb, ensure product is unplugged and allow the old bulb to cool down before handling. Dispose of used bulbs carefully.
- * CLEANING - Use a soft dry cloth for cleaning – never use polish or abrasive cleaners.

ASSEMBLY INSTRUCTIONS

1. Unpack the floor lamp and remove all packaging. Be careful that you do not scratch surface of the stems whilst removing plastic wrapping.
2. Cover floor with a soft cloth to avoid damage to the flooring and surface of the product then lay this product out on the floor. Assembly should take place with the product lying flat.
3. Screw lower lamp legs into the top stem whilst taking care stems are parallel to prevent cross threading. ①
4. Firmly hold floor lamp assembled stems and screw these into position, ② take care stems are parallel and ensure they are fully tightened.
5. With lamp shade on a covered floor, firmly hold the lamp centre body then screw centre stem into position. ③ Take care to hold stem parallel to avoid cross threading. If in doubt, unscrew and start again.
6. Stand floor lamp upright then ensure the assembled parts are sufficiently tightened.
7. **Where require:** you may need to remove the diffuser trim from lighting head by undoing retaining nuts.
8. **Fit bulb,** type and wattage as indicated on fitting. ④ **The wattage indicated must not be exceeded.**
9. Fit the diffuser trim into position whilst making sure it is flush fitted before tightening the nuts individually. ⑤ Prevent trim from being deformed, lightly fasten all screws by hand first then tighten screws. Take care not to over tighten the nuts.
10. Adjust height of the lighting head by loosening the wing nut ⑥, set height as required then secure into position by tightening the wing nut. ⑦ **Take care not to over tighten and DO NOT allow lighting head to drop!**
11. Your floor lamp is now ready for use.



GENERAL INFORMATION

This floor lamp is designed for internal use only. **Do not use polish or an abrasive cleaner - just a soft dry cloth.**

To register your product for an extended five-year warranty, please complete the simple form at

www.darlighting.co.uk/warranty

You'll need to fill in the details of the product, the retailer you purchased it from, and also the installer and the installation. Please also upload a clear copy of the original purchase invoice or receipt to complete this registration.

UK: där Lighting Ltd, Wildmere Road, Banbury, Oxon, OX16 3JZ

Ireland & EU: Dar Lighting Ireland Limited, Suite 108, Q House, 76 Furze Road, Sandyford Industrial Estate, Dublin 18