



IL3116

FLOOR LAMP

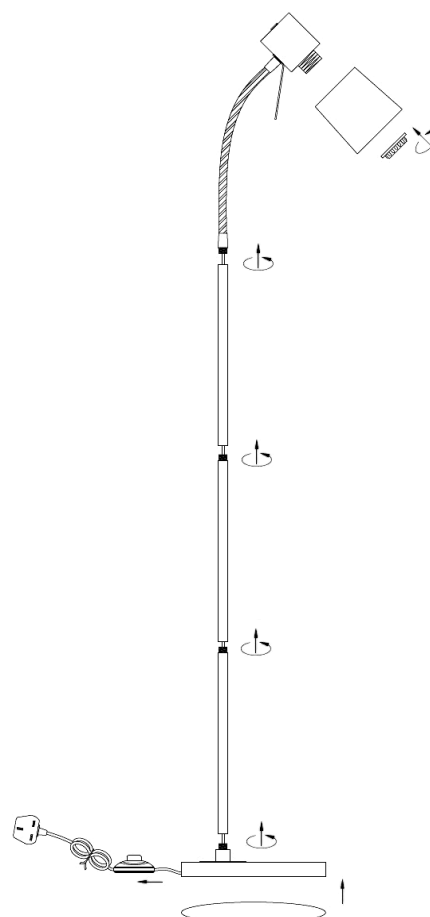
These instructions are provided for your safety.
Please read carefully before commencing work and retain for future reference.

SAFETY INFORMATION

- * If the flexible cable of this product is damaged it should be exclusively replaced by the manufacturer or a similar qualified person in order to avoid a hazard.
- * To prevent electrocution switch off at the mains supply before assembling or maintaining this fitting. Ensure the plug is not connected to any power supply and read instruction before assembly.
- * This fitting is fitted with a 3 Amp fuse and is suitable for 240 Volt ring mains.
- * Always be sure to use the correct type and wattage of bulbs as indicated on the fitting. Never exceed the wattage stated.
- * When changing the bulb, ensure product is unplugged and allow the old bulb to cool down before handling. Dispose of used bulbs carefully.

ASSEMBLY INSTRUCTIONS

1. Unpack the product and remove all packaging. Be careful not to scratch the surface of the product whilst removing the plastic wrapping.
2. Lay the product out on the floor. If the floor is not carpeted please cover it with a soft cloth to avoid damage to the flooring and surface of the product. Assembly should take place with the product lying flat.
3. It may be necessary to remove protective packaging (plastic / cardboard) located at cable entry points of the product.
4. Screw the top pole onto the bulb holder section, take care to hold poles parallel to avoid cross threading. Hold upper section still and only turn lower pole so as not to twist the cable.
5. Screw lower pole onto the upper pole, take care to hold poles parallel to avoid cross threading. Hold upper section still and only turn lower pole so as not to twist the cable.
6. Gently pull excess cable out of the base until the lower pole meets the base.
7. Turn the base onto the bottom pole. Keep the pole parallel to avoid cross threading. Keep the pole stationary and only rotate the base.
8. With the product laid on a covered surface peel off the protective cover on the base felt, attach this onto underside base of the lamp whilst making sure it is fitted centrally. Stand lamp upright and ensure all assembled parts are fully tightened.
9. Remove the shade ring from the lamp holder, fit the shade than secure into position with the shade ring.
10. Fit bulb: type and wattage as indicated on fitting. **The wattage indicated must not be exceeded.**
11. Floor lamp is now ready for use.



Please retain this information leaflet for future reference



IL3116

GENERAL INFORMATION

This floor lamp is designed for internal use only.

Do not use polish or an abrasive cleaner - just a soft dry cloth.

To register your product for an extended five-year warranty, please complete the simple form at

www.darlighting.co.uk/warranty

You'll need to fill in the details of the product, the retailer you purchased it from, and also the installer and the installation. Please also upload a clear copy of the original purchase invoice or receipt to complete this registration.

UK: *där Lighting Ltd, Wildmere Road, Banbury, Oxon, OX16 3JZ*

Ireland & EU: *Dar Lighting Ireland Limited, Suite 108, Q House, 76 Furze Road, Sandyford Industrial Estate, Dublin 18*