

WOOD & METAL FLOOR LAMP

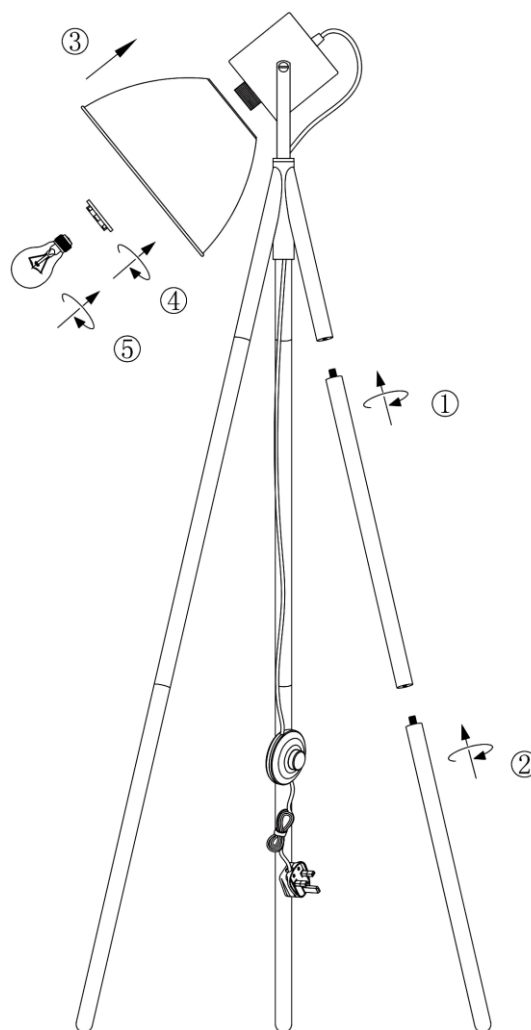
These instructions are provided for your safety.
Please read carefully before commencing work and retain for future reference.

SAFETY INFORMATION

- * If the flexible cable of this product is damaged it should be exclusively replaced by the manufacturer or a similar qualified person in order to avoid a hazard.
- * To prevent electrocution switch off at the mains supply before assembling or maintaining this fitting. Ensure the plug is not connected to any power supply and read instruction before assembly.
- * This product is fitted with a 3 Amp fuse and is suitable for 240 Volt ring mains.
- * Always be sure to use the correct type and wattage of bulbs as indicated on the fitting. Never exceed the wattage stated.
- * When changing the bulb, ensure product is unplugged and allow the old bulb to cool down before handling. Dispose of used bulbs carefully.

ASSEMBLY INSTRUCTIONS

1. Unpack the floor lamp and remove all packaging. Be careful that you do not scratch surface of the stems whilst removing plastic wrapping.
2. Cover floor with a soft cloth to avoid damage to the flooring and surface of the product then lay this product out on the floor. Assembly should take place with the product lying flat.
3. Firmly hold the lamp holder stem and then screw the first stem into the upper section, whilst taking care to hold stems parallel to avoid cross threading. If in doubt, unscrew and start again. ①
4. Firmly hold assembled stems and then screw the lower stem into the upper section, whilst taking care to hold stems parallel to avoid cross threading. ② If in doubt, unscrew and start again.
5. Stand floor lamp upright then ensure the assembled parts are sufficiently tightened. **Take care not to overtighten the stems as this may damage threaded metal inserts inside the wood stem.**
6. Remove shade ring from the lamp holder then fit the shade ③ and secure this using the shade ring. ④
7. **Fit bulb**, type and wattage as indicated on fitting. ⑤ **The wattage indicated must not be exceeded.**
8. Your floor lamp is now ready for use.



Please retain this information leaflet for future reference



IL4050

GENERAL INFORMATION

This floor lamp is designed for internal use only. **Do not use polish or an abrasive cleaner - just a soft dry cloth.**

To register your product for an extended five-year warranty, please complete the simple form at

www.darlighting.co.uk/warranty

You'll need to fill in the details of the product, the retailer you purchased it from, and also the installer and the installation. Please also upload a clear copy of the original purchase invoice or receipt to complete this registration.

UK: *där Lighting Ltd, Wildmere Road, Banbury, Oxon, OX16 3JZ*

Ireland & EU: *Dar Lighting Ireland Limited, Suite 108, Q House, 76 Furze Road, Sandyford Industrial Estate, Dublin 18*